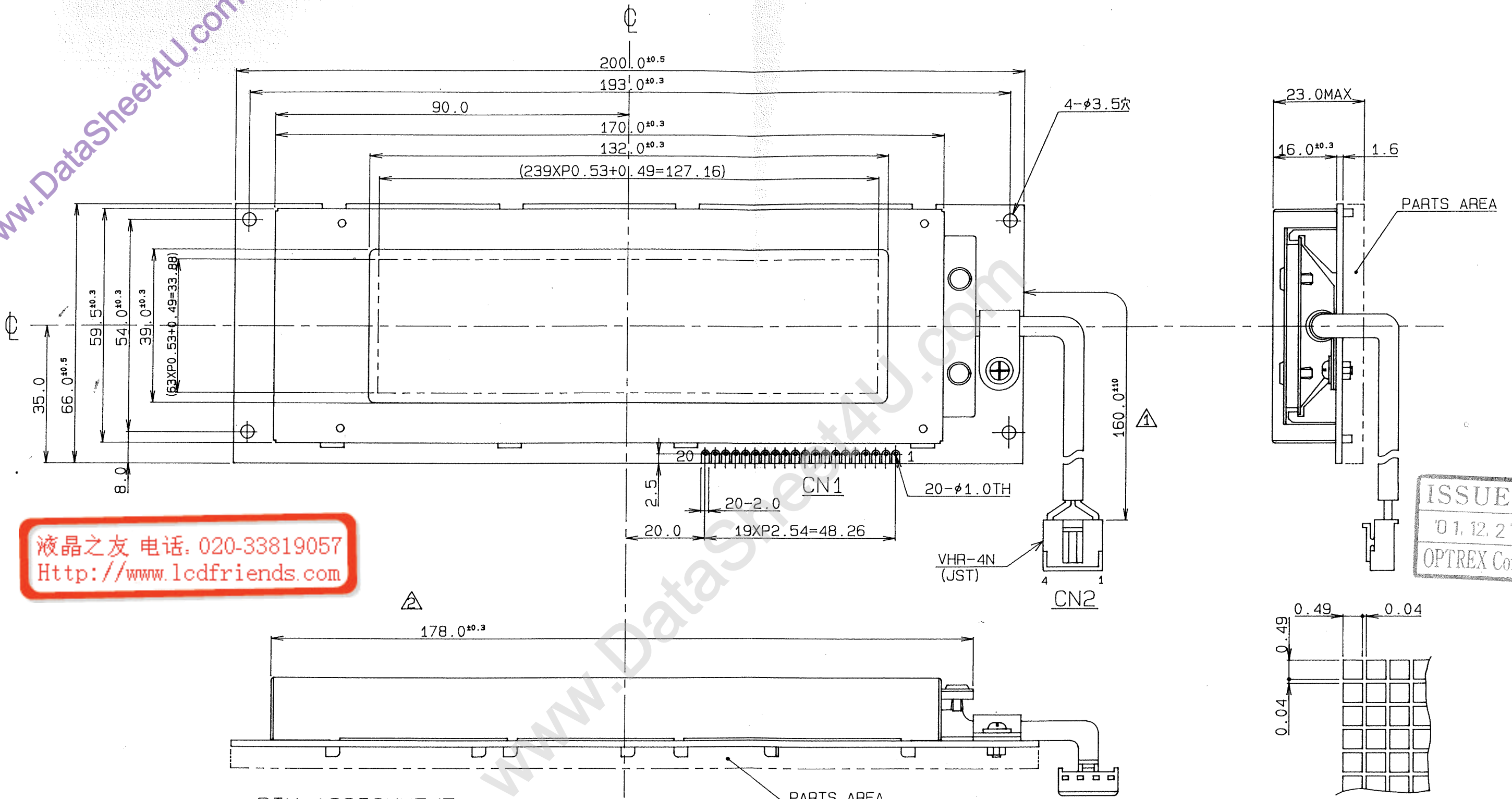


www.DataSheet4U.com



液晶之友 电话: 020-33819057
 Http://www.lcdfriends.com

ISSUED
 01.12.27
 OPTREX Corp.

PIN ASSIGNMENT

CN1			
Pin No.	Symbol	Pin No.	Symbol
1	FG	11	D0
2	Vss	12	D1
3	Vcc	13	D2
4	VEE	14	D3
5	WR	15	D4
6	RD	16	D5
7	CE	17	D6
8	C/D	18	D7
9	NC	19	FS
10	RESET	20	NC

CN2	
Pin No.	Symbol
1	CFL (HOT)
2	NC
3	NC
4	CFL (GND)

TOLERANCE			
MEASURE	A	⊕	C
1≤16	±0.1	±0.3	±1
16<1≤63	±0.2	±0.5	±1.5
63<1≤250	±0.3	±0.8	±2
250<1≤500	±0.5	±1.2	±3
500<1≤1000	±0.8	±2	±4

ANGLE		
ANGLE	±30°	±1°
±1°	±1°	±2°

REVISIONS	DATE	REVISIONS	NAME	MATERIAL	FINISH	Q'ty	NOTE
④							
⑤							
③	MAR.8.'93	CORRECTION OF SYMBOL	K.T	3rd ANGLE PROJECTION	TOLERANCE CLASS: B	SCALE: 1/1	
②	JUL.14.89	寸法追加 (ADDITION)	T.O	APPROVED <i>May 8 '91</i>	MODEL		DMF5010N SERIES
①	JUN12'89	CCTケーブル長さ変更 (CCT CABLE MEASURE CORRECTION)	T.O	CHECKED <i>May 8 '91</i>	TITLE		DIMENSIONAL OUTLINE
				DRAWN <i>J. Okamoto</i>	CODE		
				<i>Haruhisa Kitamura</i>	DESIGNED <i>May 8 '91</i>		
				<i>J. Okamoto</i>	DRAWING No.		UE-32421C

OPTREX CORPORATION